

**B.E.G.****LUXOMAT®**

## PD3-1C-SM

Prod.No. 92194 EAN: 4007529921942

- Voltage: 110 - 240 V AC 50 / 60 Hz
- Dimensions: Ø 106 x 53 mm
- Power consumption: < 0.3 W

### Order data

Designation	Colour	Art.No
PD3-1C-SM	white	92194

### Accessories

Designation	Colour	Art.No
Pendulum mounting set PD2/3/4 SM	white	93179
Wire basket BSK (Ø 200 x 90 mm)	white	92199

## Technical data

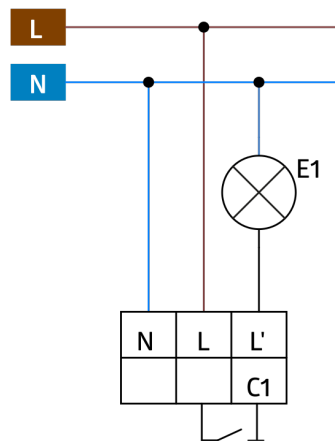
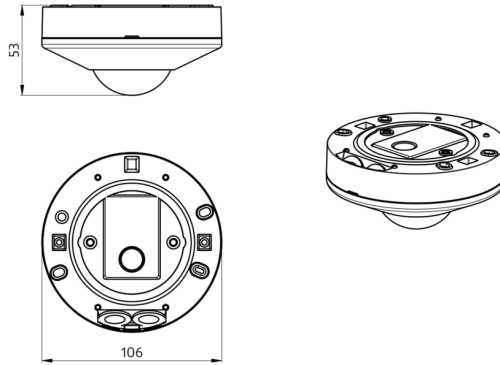
Voltage:	110 - 240 V AC 50 / 60 Hz
Dimensions:	Ø 106 x 53 mm
Power consumption:	< 0.3 W
Detection area:	horizontal 360° (Ceiling mounting) max. Ø 10 m across max. Ø 6 m towards max. Ø 4 m seated
Range:	
Monitored area (tangential movement):	78 m <sup>2</sup> / 2.5 m mounting height
Mounting height min./max./recommended:	2 m / 5 m / 2.5 m
Degree / class of protection:	IP44 / Class II
Ambient temperature:	-25 °C to +50 °C
Housing:	polycarbonate, UV-resistant
Material color:	white mat, similar to RAL9010

### Channel 1 (lighting control)

Switching power:	2000 W, $\cos \varphi$ = 1 1000 VA, $\cos \varphi$ = 0.5 400 W LED, minimum runtime > 5 min max. inrush current $I_p$ (20 ms) = 80 A
Type of contact (k):	$\mu$ -contact, NO contact
Follow-up time:	30 sec - 30 min, Pulse
Switch-on threshold:	10 - 2000 Lux

## Product information

Ceiling motion detector
One channel for light switching
Zero crossing switching
Switching for all types of light fixtures by high performance relay
Special optical system for detection of even the smallest movements
Serial impulse function



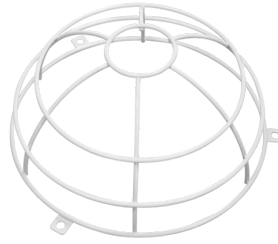
## Accessories



### **Pendulum mounting set PD2/3/4 SM**

Art.No: 93179

Dimensions: 1 : Ø 113 x 79 mm, 2 : Ø 113 x 34 mm  
Housing: polycarbonate, UV-resistant  
Material color: white, similar to RAL9010



### **Wire basket BSK (Ø 200 x 90 mm)**

Art.No: 92199

Dimensions: Ø 200 x 90 mm  
Impact strength: IK09  
Housing: coated steel basket